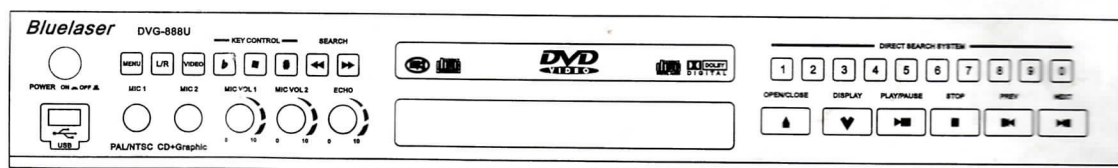
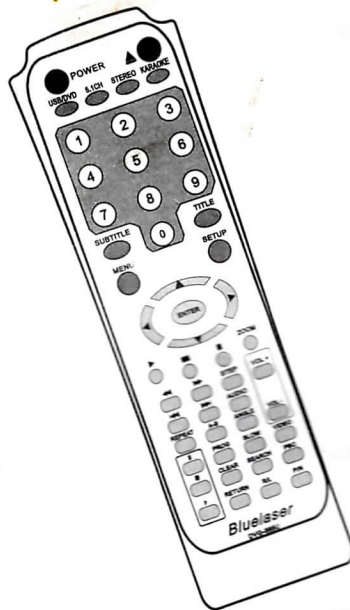


Bluelaser[®]

DVG-888U

KARAOKE PLAYER



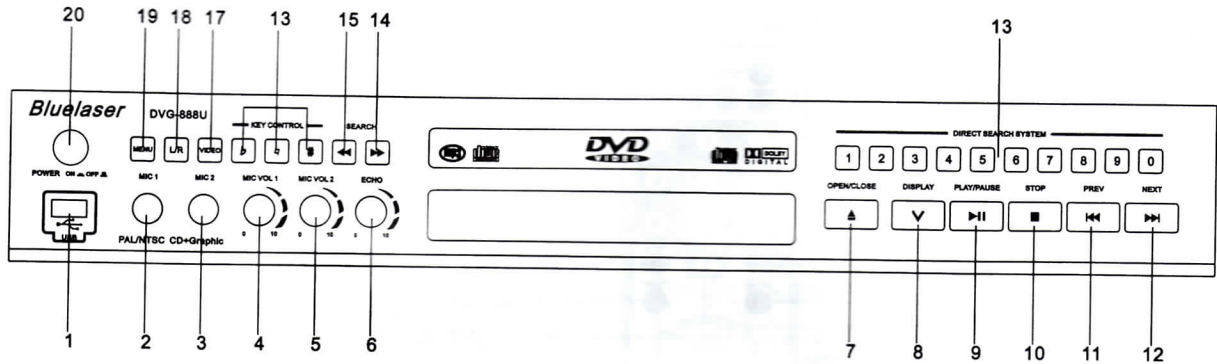
For customer use:
Enter below the Model No. and
Serial No. Which are located
either on the rear bottom or side
of the cabinet. Retain this
information for future reference.

Model No.:

Serial No.:

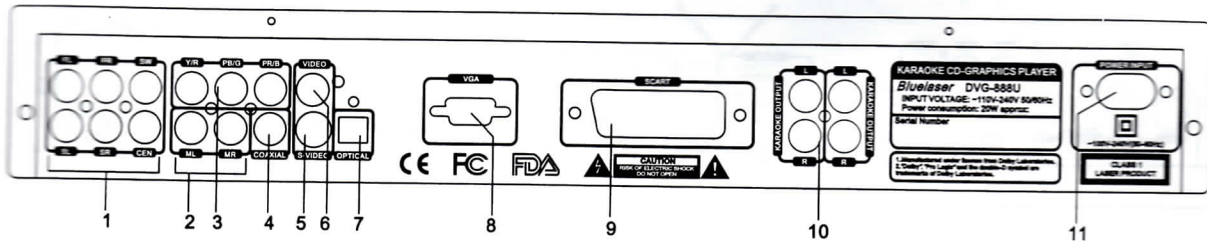
OVERVIEW OF CONTROLS

1. FRONT PANEL



- | | |
|-----------------------|---------------------|
| 1. USB port | 11. Previous |
| 2. Microphone input | 12. Next |
| 3. Microphone input | 13. Numeric buttons |
| 4. Mic volume control | 14. Forward |
| 5. Mic volume control | 15. Reverse |
| 6. Echo control | 16. Key control |
| 7. Tray open / close | 17. Video |
| 8. Display | 18. L/R |
| 9. Play / Pause | 19. Menu |
| 10. Stop | 20. Power |

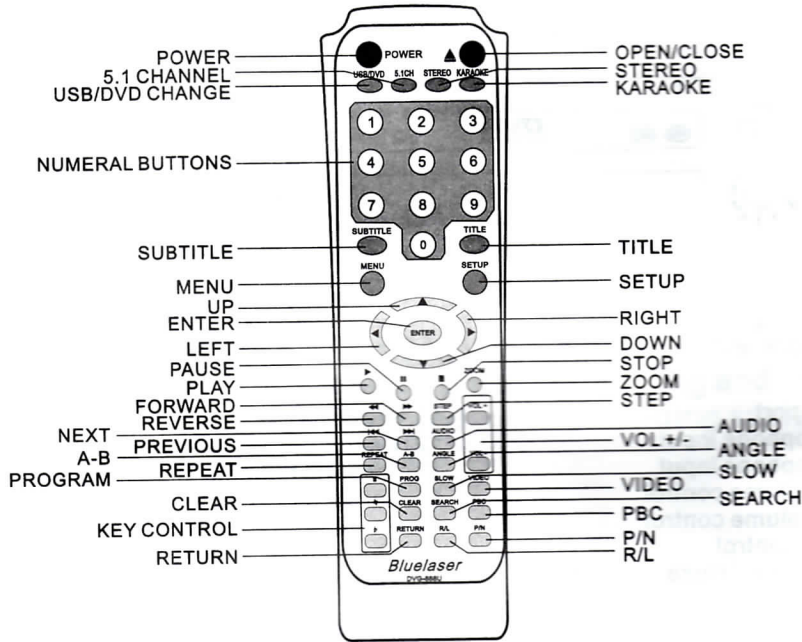
2. BACK PANEL



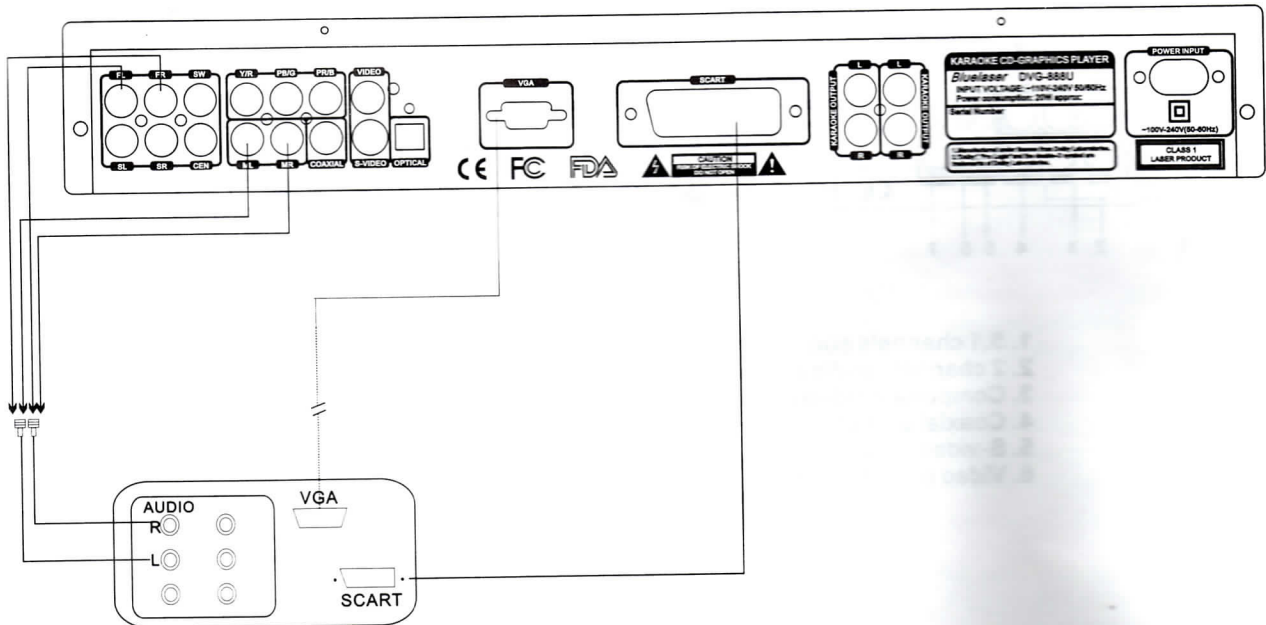
- | | |
|------------------------------|--------------------|
| 1. 5.1 channels audio output | 7. Optical output |
| 2. 2 channels audio output | 8. VGA output |
| 3. Component video output | 9. SCART output |
| 4. Coaxial output | 10. KARAOKE output |
| 5. S-video output | 11. Power input |
| 6. Video output | |

OVERVIEW OF CONTROLS

3. REMOTE CONTROL UNIT



CONNECTING TO TV SCART/VGA TERMINAL(OPTIONAL)



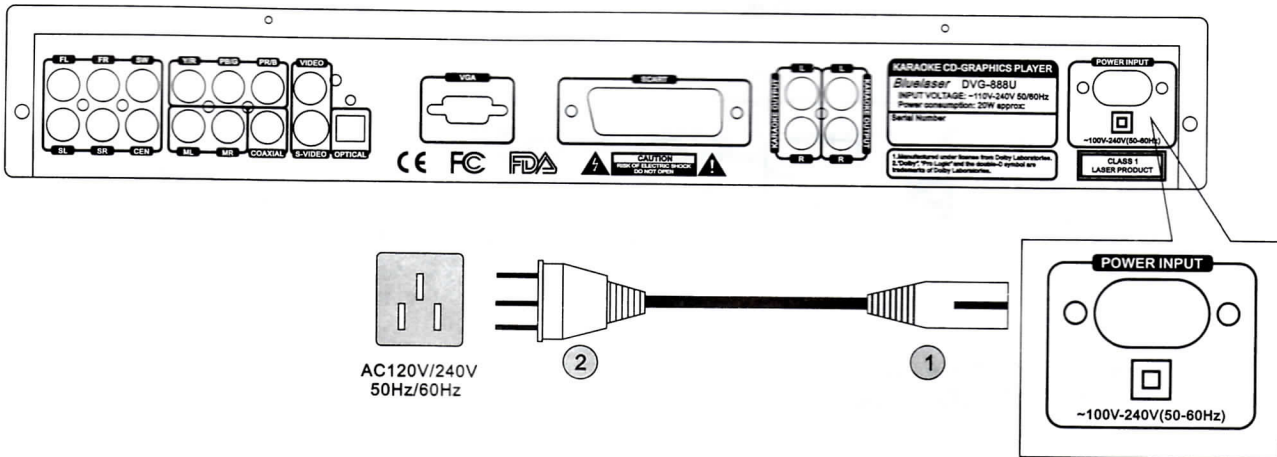
MAKING THE CONNECTIONS

CAUTION:



Always turn OFF the power of your television and this player both when making connections by the Video and Audio Cords.

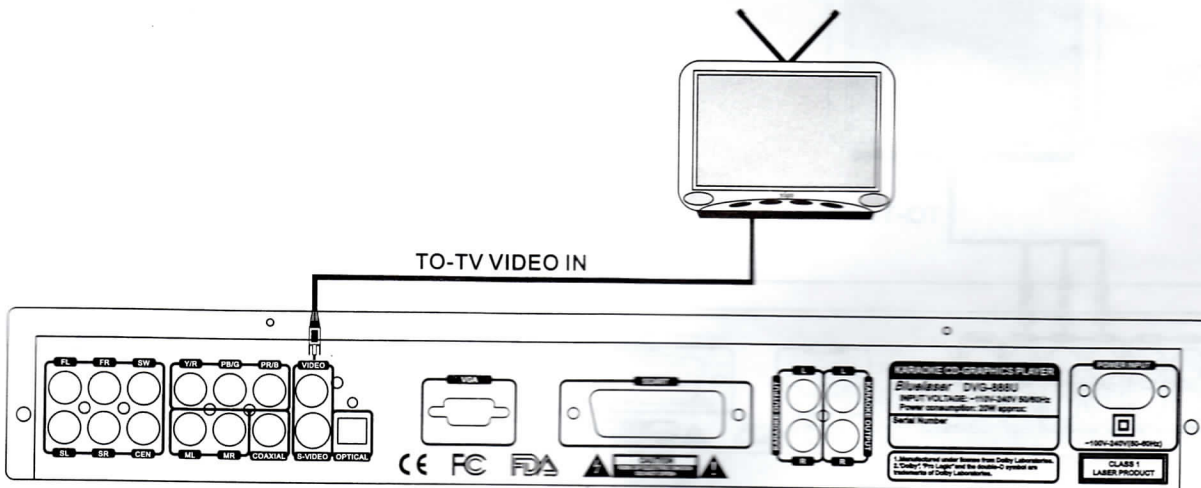
Power Cord Connection



1. Connect the AC power cord to the unit.
2. Connect the unit's power plug to the wall outlet.

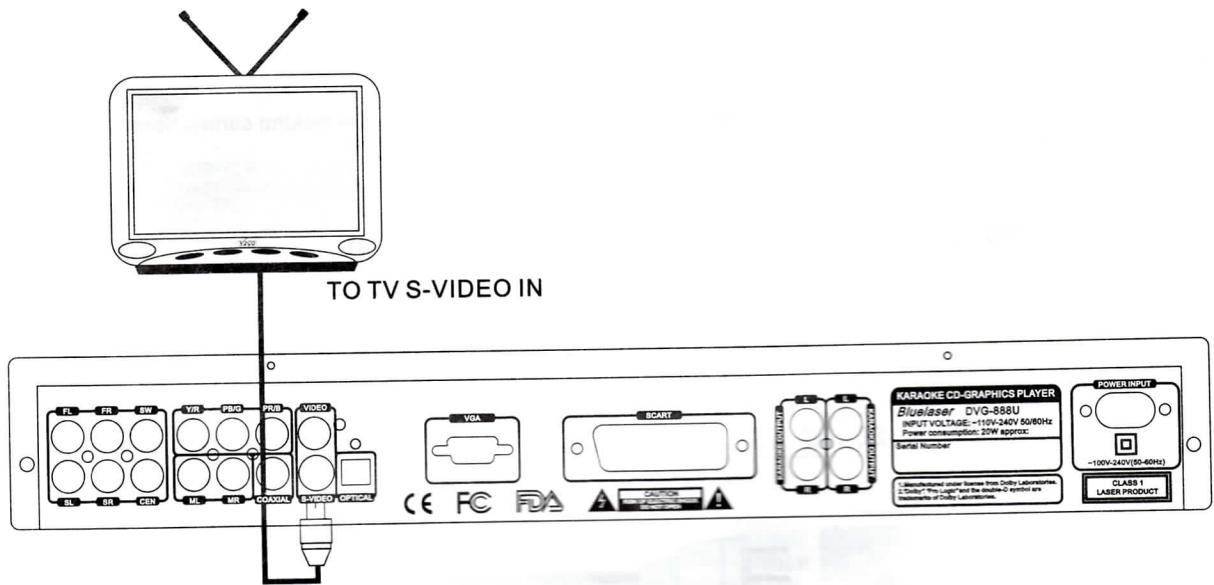
WARNING: Switch power button to OFF when the machine is not in use.
Unplug the power cord if it is not use for a long time.

Composite Video Output Connection



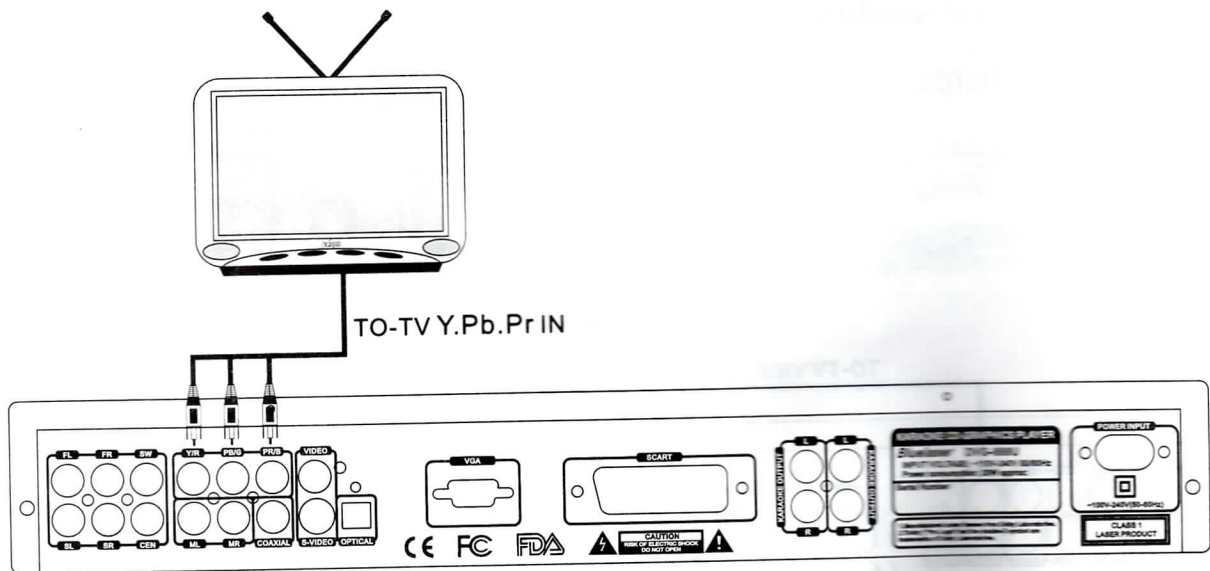
Using an AV cable, connect the unit's VIDEO OUTPUT jack to the VIDEO IN jack of your TV set.

S-VIDEO Connection



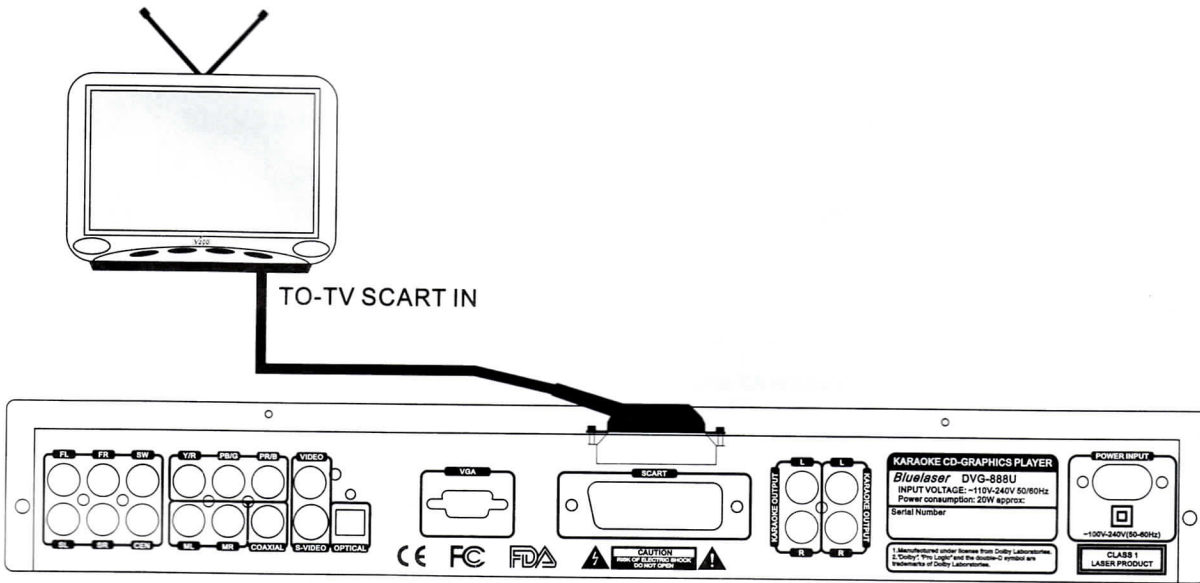
With an S-VIDEO cable, connect the unit's S-VIDEO OUTPUT jack to the S-VIDEO IN jack of your TV set which should be set to S-VIDEO mode.

Y.PB.PR Connection



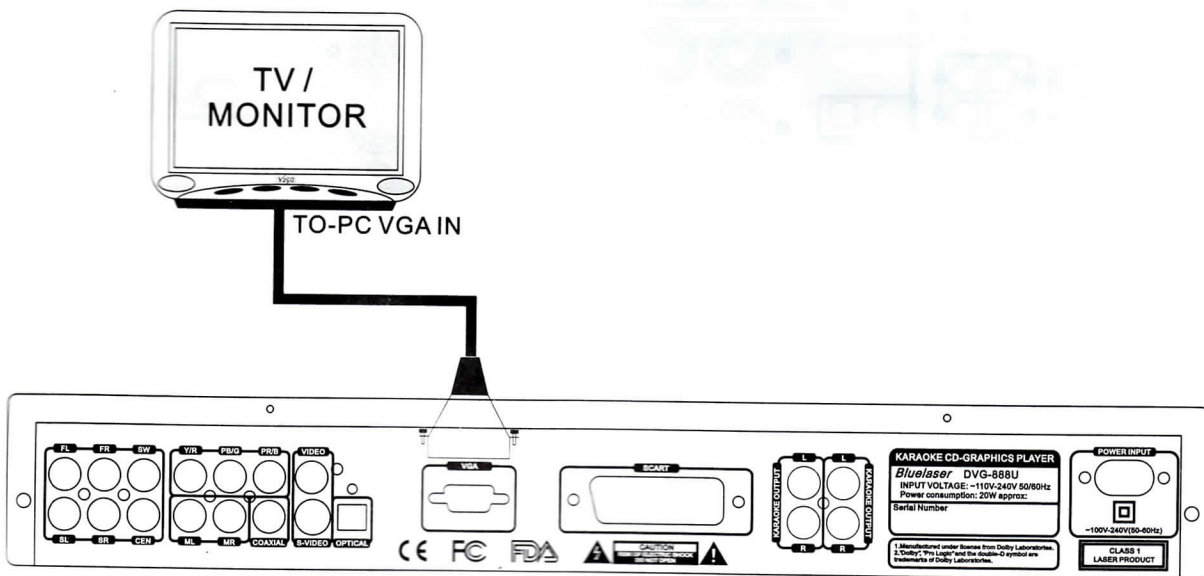
With proper AV cable, connect the unit's Y.Pb.Pr RCA jacks to your TV's Y.Pb.Pr IN jacks and set in Y.Pb.Pr mode.

SCART Connection



This is for your TV set with SCART jack. You need a scart cable to get audio and video output. Connect one end of cable to the unit's SCART OUTPUT jack and plug the other end to the SCART IN jack of your TV set. The TV should be set in SCART mode.

VGA Connection



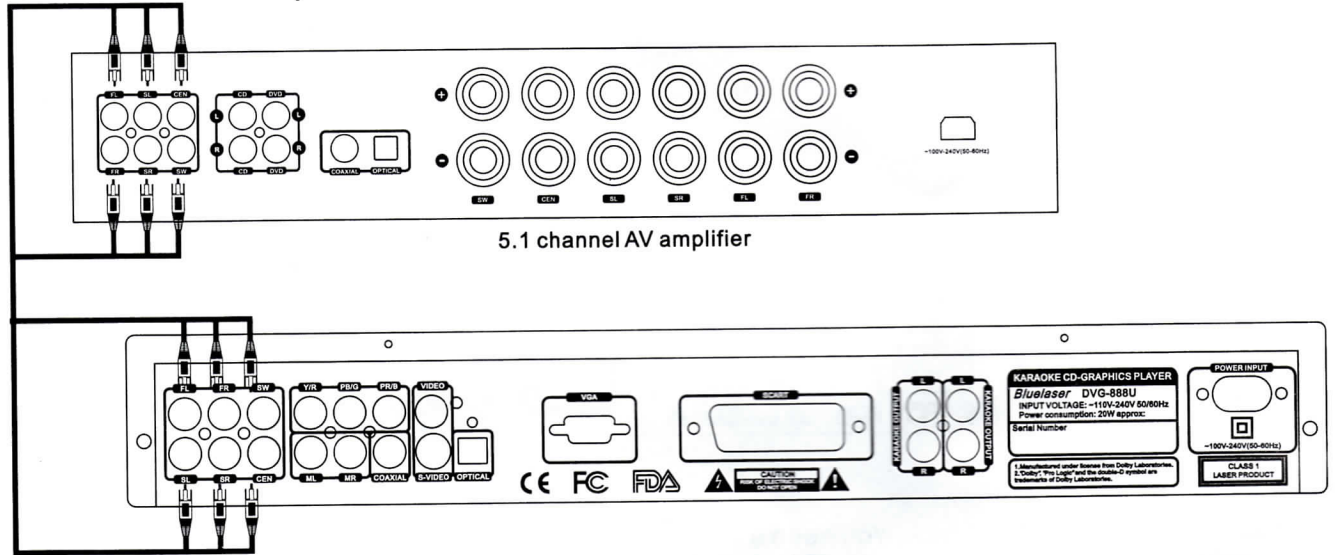
Use a VGA cable to connect the unit's VGA jack and to your TV/MONITOR. You will get a better picture from its progressive scan function.

S

AUDIO CONNECTION

This unit is a DVD player. It has 5 audio outputs which can be connected to different audio systems.

5.1 channel output

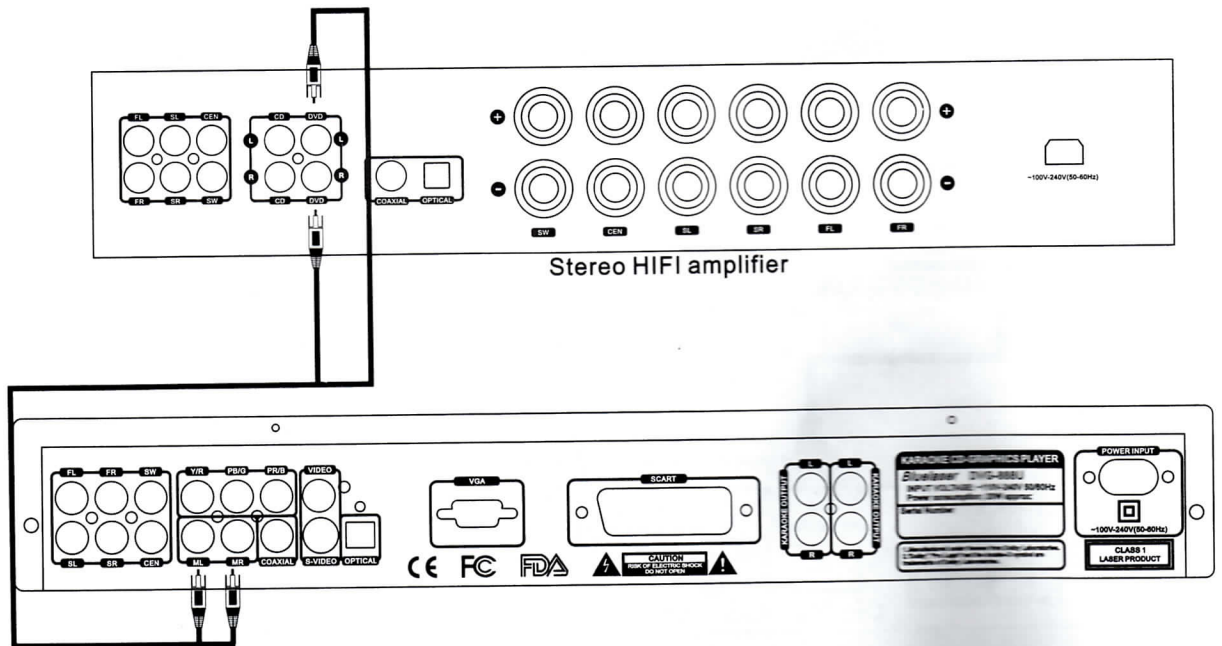


W
se

Connect the unit's FL. FR. SL. SR. CEN and SW jacks to any 5.1 channel amplifier system.

Y.

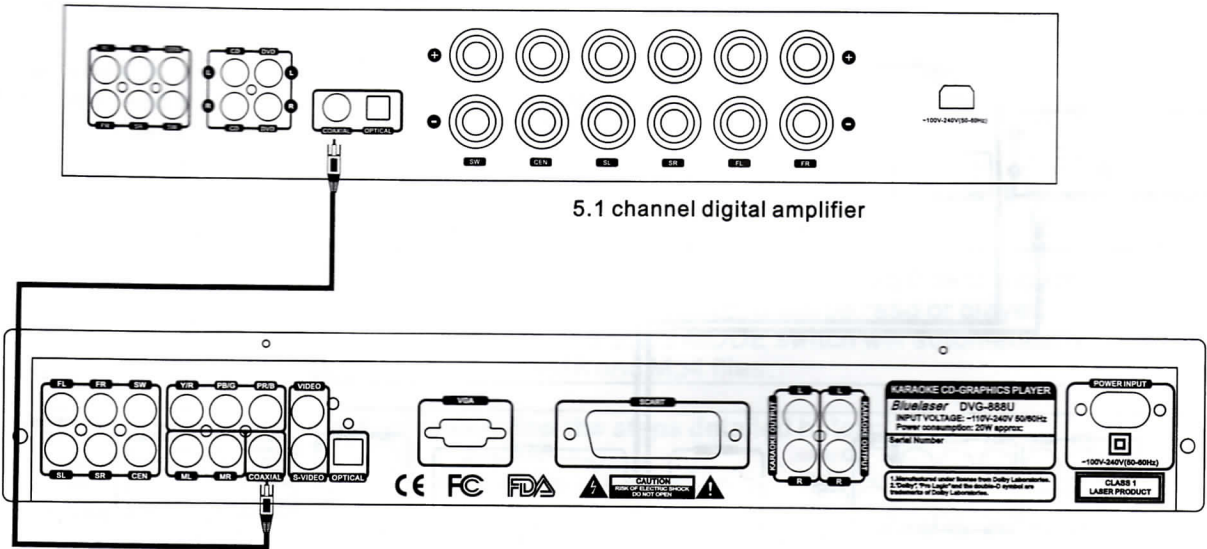
Stereo output



V
i

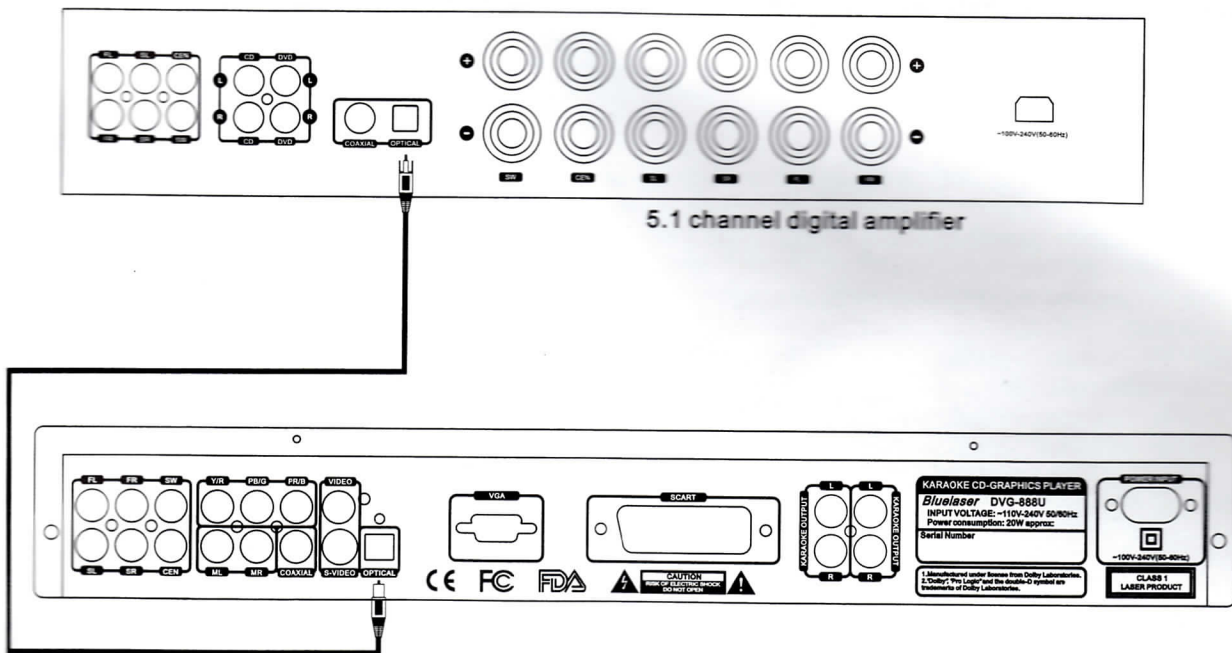
Connect unit's ML, MR jacks to any HI-FI amplifier's AUDIO IN to get stereo music or vocal output.

Coaxial output



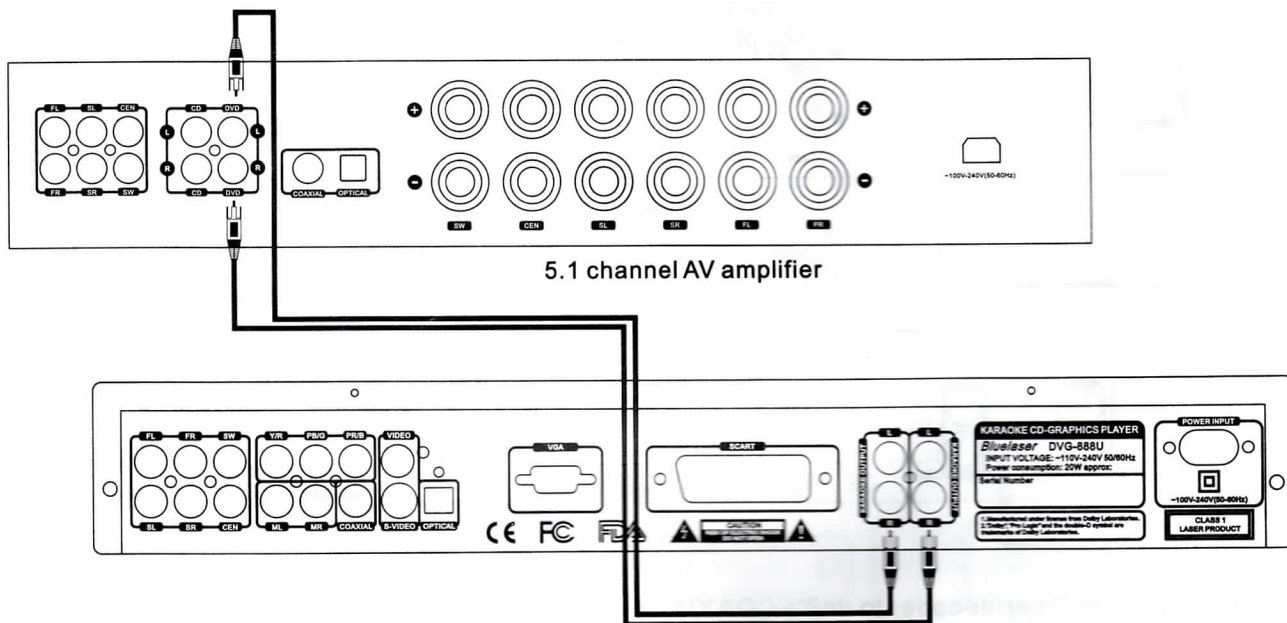
Connect any digital amplifier/decoder to unit's COAXIAL output jacks.

Optical output



Use an optical cable to connect the digital amplifier/decoder to this unit's OPTICAL OUT jack.

Karaoke output



Connect one end of cable to the KARAOKE OUTPUT and connect the other end of the cable to STEREO INPUT jacks on the amplifier. This is for your KARAOKE entertainment. You will get both music and vocal.

USB INPUT JACK AND OPERATION

You can play vocal and music files stored in any external memory devices (e.g., flash stick, flash drive, card reader, external hard drive/player, etc.) by connecting any one of such devices to the unit's front panel USB IN.

The unit's default MODE or function is on DVD, provided your external memory device is not connected to the USB IN terminal.

If no disc is being played, the unit MODE switch will automatically select the USB IN to play the music in the external memory device connected. If a disc is played, it will be read or played first; after the last song or chapter is read or played, the unit's MODE switch will automatically transfer to USB IN. The unit supports Mp3, JPG, WMA and Mp4 files.

If you need to switch to USB playback, please follow the steps detailed below:

1. Press the STOP button;
2. Press the USB/DVD button to make the USB menu appear on the screen;
3. Select item to play with the directional buttons; and
4. Press ENTER button to enter your selection.

Repeat above steps to switch back to DVD playback.

Note: Please make sure the player is at stop before selecting or operating in another mode.

PLAYING MODES

KARAOKE MODE

This mode is designed for karaoke entertainment. To select this mode, press KARAOKE button on your remote control. To ensure proper mixing level of background music and singer's vocal, connect and set your microphone at correct audio level (minus speakers' feedback). Under KARAOKE mode, CD or CD+G disc stops automatically at the end of each song. PLAY button must be pressed again for the next song. The setting of KEY control is reset or goes back to default setting after every song is played.

Note: If audio cables are connected with ML and MR output jacks, there is no audio signal output.

STEREO MODE

For HI-FI stereo output, press STEREO button on the REMOTE CONTROL to enter this mode.

NOTE: In this mode, music or audio output only comes from ML, MR, FL, FR and KARAOKE OUT jacks.

5.1 CHANNEL MODE

To view and enjoy movies with 5.1 sound track, press 5.1 CH button on your remote control (RC).

NOTE: In this mode, 8 audio outputs are active (ML, MR, FL, FR, CEN, SL, SR and SW) from the DOLBY 5.1 DVDisc.

PROGRAM MODE

To program or select the playing sequence of sound tracks, press STOP and then PROGRAM, PROG will appear on the unit's VFD screen. Please perform the following steps (This program function does not apply on DVD, MP3 or VCD 2.0 discs):

1. Select the tracks you want to play by pressing your RC numerical keys. The number of track will show on screen;
2. Press ENTER button to confirm every selection. Repeat steps 1 and 2 to add more tracks. Programmed tracks will be added automatically;
3. Press play button to play the tracks you have programmed; and
4. To exit this program, press STOP button twice.

While in this program mode, you can press the CLEAR button to cancel the previous programmed track.

Note: Playing of CD+G, VCD, CD disc must be stopped to enter the Program mode. And make sure to press ENTER button to confirm the track selection each time.

FUNCTIONS AND OPERATION

AUDIO	This button is used to switch to different audio tracks of DVD disc It works with DVD disc only.
L/R	The button is set to select audio playback modes such as mono left, mono right and stereo. It's available for CD, CD+G, VCD and MP3 discs.
ANGLE	This is used to switch between different video angles from a DVD disc equipped with multi-angle video. This function will not work if the DVD disc does not have a multi-angle video recording.
BACKWARD AND FORWARD	To skip to proceeding tracks, press FWD and REV to preceding tracks. NOTE: This function does not work in CDG disc.
CLEAR	This button is used to delete all programmed tracks you have entered.
DIRECTION BUTTON	To view an image in various positions while when playing a JPEG disc, press UP, DOWN, LEFT and RIGHT buttons in your RC
KEY CONTROL	On karaoke mode, key control can be adjusted in 14 steps of key level of music. You can raise or lower keys. The key will reset automatically at the end of each song.
MENU	To view the contents of any DVD disc, press MENU. To select the desired menu item, use direction buttons and then press ENTER or PLAY to confirm. You can also select items by pressing direct access digit buttons. Note: DVD discs features vary according to disc producers or manufacturers.
NUMERIC BUTTON	Direct numeric access buttons are applicable for tracks up to 999. Pressing or entering of numerical digit combination must be done within 5 seconds. Note: The number you put in cannot exceed the maximum number of tracks.
PREVIOUS and NEXT	Use to return to previous or skip to next track.
REPEAT	To repeat playing of all tracks, press REPEAT, ALL appears on display and press again to cancel; press REPEAT again, ONE appears to repeat the same selection; press it again to cancel. A-B button is used to play a section within a musical or vocal selection by pressing A-B at the start and again pressing at the end of the section desired; by pressing it again, this function is cancelled. Note: The A and B points must be set in the same track. It is not applicable for CD+G disc.
RETURN	When PBC is on, press this button to return to the menu during playback. This function works on VCD disc only.

SEARCH	To search a disc by time, track or chapter, input appropriate digits and press ENTER button to play. Note: This function is not applicable for CD+G disc. On STOP mode, press SEARCH button to show the USB menu.
SLOW	To reduce playback to various disc speed, press SLOW. DVD disc playback speed can vary from 1/2-1/8 backward or forward. VCD disc only can forward speed up to 1/2-1/8. NOTE: This function is not applicable for CD, CD+G and MP3 discs. Audio is muted on SLOW PLAY. To return to normal speed, press SLOW PLAY again.
STEP	To view a frame one at a time, press STEP and to return to normal speed, press PLAY.
SUBTITLE	To select the subtitle options, press SUBTITLE. This function only works with DVD discs with subtitle options.
TITLE	To access the title menu of a DVD disc, press TITLE.
PBC	Press this button to enter VCD disc menu and input numbers to select scene in a VCD disc being played.
P/N	To switch from NTSC or PAL or MULTI SYSTEM, press your RC's P/N button to match your TV set's video requirement and press ENTER within 2 seconds to confirm your selection. 480P, 576P or 720P should be selected in the SETUP menu to match your TV set. If your TV is not HDTV, the image will not be displayed well when the video type is set on 720P. Note: If your video quality is very poor, press P/N button several times till you get a good picture quality and then press ENTER button within 2 seconds to confirm your selection. In case above steps failed to give you an acceptable picture quality, please do the following on the machine to restore the unit back to factory settings: 1. Turn power switch of unit: OFF and then ON; 2. Press disc EJECT button; 3. Press 222888 of direct access digit buttons; 4. Press STOP button; and 5. Turn unit's power switch to OFF and then ON. The unit's system will reset to default setting.
VOLUME UP & DOWN	To adjust the music or audio level, press VOLUME up or down.

VIDEO	<p>To get the video output type best matched to your TV and for higher video quality, press VIDEO button several times to select from:</p> <ul style="list-style-type: none">A. S-VIDEO for S-VIDEO connection;B. YCbCr for YCbCr connection;C. SCART for SCART connection;D. YPbPr for YPbPr connection; orE. VGA for VGA connection which can be connected to a PC monitor. <p>After your selection, press ENTER button within 2 seconds to confirm.</p>
ZOOM	<p>To get the desired image size on the screen, press ZOOM IN for 1.5x, 2x, 3x magnification and use DIRECTION button to move the image. When playing JPEG disc, the screen will show ZOOM ON after you press the ZOOM button; then, you can press FAST REVERSE button to zoom out and press FAST FORWARD to zoom in. You can move the JPEG image with the direction keys or on ZOOM OFF, use the direction keys to turn over the JPEG image.</p>

SETUP

Press **SETUP** button to get into the **SETUP** menu. Use the **DIRECTION** and **OK** buttons to select the desired option. To exit setup, press **SETUP** button or choose the **EXIT SETUP** option on the screen.

GENERAL SETUP

To perform General Setup, kindly do any of the following:

1. PIC MODE

Press **PIC MODE** to set the correct picture mode.

2. ANGLE MARK

Press **ANGLE** to change view angles.

3. OSD LANGUAGE

Press **OSD** to select appropriate language.

4. CAPTION

Press **CAPTION** to show the captions and press again to delete.

5. SCREEN SAVER

When there is no change on the screen for a period of time, the screen saver appears and activated if you press this button.

SPEAKER SETUP

To undertake Speaker Setup, you have the following options:

1. DOWNMIX

You will get all channels output when you select **LT/RT** and **STEREO**. If you select to **5.1CH** mode, 6 audio channel output will be active.

2. CENTER

To activate center speaker, press **CENTER**. When it is **OFF** you have a standard stereo audio output.

3. REAR

To activate rear audio output from left surround (**SL**) and right surround (**SR**) channels, press **REAR**; and press again to default to standard stereo output.

4. SUBWOOFER

To activate the subwoofer speaker output, press **SUBWOOFER**; and press again for a standard stereo audio.

5. CENTER DELAY

Select the delay time of center signal output by pressing **CENTER DELAY** several times to get desired delayed audio signal.

6. REAR DELAY

Select the time delay of **SL/SR** output by varying the placement of center speaker and adjusting rear delay settings.

7. TEST TONE

You can test all the output channels by setting test tone to **ON** after all channels are set up to your preferences. The used output channels will be shown on the left corner of your screen. Select **OFF** to stop the test tone moving from one speaker to another.

AUDIO SETUP

To do your Audio Setup, you may do the following:

1. SPDIF OUTPUT

Turning SPDIF on will activate the optical and coaxial output digital signal output rear panel terminals.

SPDIF/RAW: You use this option when using digital output to connect to an amplifier with Dolby decoding.

SPDIF/PCM: You select this option when using a stereo amplifier to play Dolby digital discs.

2. DUAL MONO

You can use any of the following audio options:

Stereo output

L-mono output

R-mono output

MIX-mono output

3. COMPRESSION

In order not to disturb your neighbour at night, you can dynamically lower the volume and still keep the original music fidelity by activating this option.

4. PRO LOGIC

You have the option in using your built-in Dolby decoder.

OFF: Decoder off.

ON: Decoder on.

AUTO: Select according to the disc format automatically.

5. LPCM OUTPUT

You can select this option for a higher output and better tone response.

KARAOKE SETUP

1. KARAOKE MODE

When the karaoke mode is activated, key control is functional. When you select 5.1 CH, the KARAOKE mode is turned OFF automatically.

VIDEO SETUP

To have proper Video Setup, do any of the following:

1. TV DISPLAY

Set the correct TV display mode.

2. HD MODE, select either

ON: HD mode on, 720P is available.

OFF: HD mode off, 720P is not available.

3. TV TYPE

Set the video output to match your TV system format.

4. VIDEO OUTPUT

Select and connect the correct video output to your TV.

PREFERENCE SETUP

Before playing your disc, or external AV source, you can do any of the following:

1. AUDIO

Select language for discs with multi-language capabilities.

2. SUBTITLE

Select your preferred subtitle language under Video Setup

3. DISC MENU

Select disc language.

4. PARENTAL

Set passwords to all rating of movie discs to be played. Enter the factory or original password before you change the setup.

5. PASSWORD

Change password with this option. The original factory password is required before any change can be made. In case you forget your password you can remove your former password by typing 3308, the original factory password.

6. DEFAULTS

To reset the machine, set preferences to the original factory presets or settings.

7. SMART NAVI

You can use an Mp3 disc to play like a standard disc.

SPECIFICATIONS

Model No.	DVG-888U	Audio output format	Stereo, 5.1CH optical, coaxial format
Power requirements	110V/240VAC,50/60HZ	DVD frequency response	20-20KHZ
Power consumption	25W	DVD S/N ratio	80dB
Readable discs	DVD,MPEG-4,VCD,MP3, CD+G,CD,JPEG,WMA, CD-R/RW,DVD+R/-R/RW	DVD harmonic distortion	0.3
Video format	NTSC,PAL,AUTO, 480P,576P,720P	Karaoke frequency response	20-20KHZ
Video output type	VIDEO,S-VIDEO VGA,SCART,YUV,RGB	Karaoke S/N ratio	70dB
Video output level	CVBS: 1Vp-p 75ohm	Echo level	10 levels
USB	USB 2.0	Total harmonic distortion	0.5
Microphone input sensitivity	Max 10mv		

TROUBLESHOOTING

Symptom	Possible Causes	Handling
No power	1. The power cord hasn't been connected	Make sure the power cord is plugged into an outlet
	2. The power supply hasn't been switched on	Make sure the power supply is switched ON
	3. The fuse is broken	Change the fuse
Display No Disc after placing a disc	Disc format does not match	Change the disc
	The disc is Scratched or deformed	Change the disc
Video colourless or contains static	The DVD video format & TV format are Not Matched	Switch to the same format
No S-VIDEO output	S-Video is not set as the Video output format	Change the video output format
No VGA output	VGA is not set as the Video output format	Change the video output format
No SCART output	SCART is not set as the Video output format	Change the video output format
No optical or coaxial output	Please check if the audio setting or the digital output is set to OFF	Set the digital output on RAW or PCM
Remote is no functioning or less sensitive	Check if battery is flat	Change the battery